

GENIUS

CAR AUDIO



G7C-12D4
G7C-12D4

Dual 4ohm impedance
1500W RMS Power
3000W Max Power

www.geniuscaraudio.com

GENIUS

CAR AUDIO

G7C-12D4
G7C-12D4



Dual 4ohm impedance
1500W RMS Power
3000W Max Power

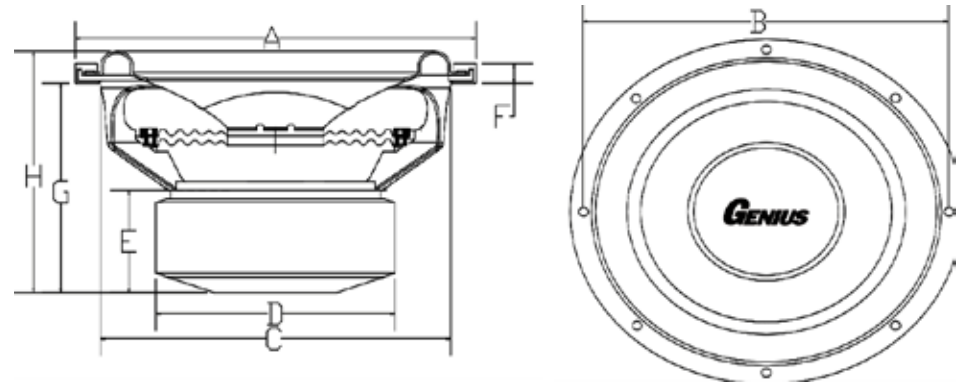
www.geniuscaraudio.com

G7C-12D4

G7C-12D4

Specifications:

- Die cast basket with black powder finish
- Kevlar fiber enhanced nonpress paper cone
- EROM foam surround with silver stitching
 - 3.0" 4-layer hi-temp voice coil
- Kevlar enhanced paper dust cap
- Triple stacked 225oz high energy magnets
- Direct cooling design T-yoke with black finish
- Triple black poly cotton spiders with mirrow image layout
 - Rubber gasket and rubber magnet boot
 - 10gauge power cable direct connection
 - Dual 4ohm impedance
 - 1500W RMS power
 - 3000W Max power



Dimensions		G7C-12D4	G7C-15D4
	Value	Final	Final
Diameter A	mm	325	395
Diameter B	mm	303	374
Diameter C	mm	285	350
Diameter D	mm	196	196
Depth E	mm	89	89
Depth F	mm	17	17
Depth G	mm	200	217
Net Wt	Kgs	15.7	16.3

Mechanical Parameters		G7C-12D4		G7C-15D4	
	Value	Parallel	Series	Parallel	Series
Fs	Hz	35.293	34.672	35.025	34.484
Qms		3.522	2.489	4.956	4.265
Vas	liters	29.566	28.617	56.889	57.783
Cms	um/N	73.861	71.492	60.253	61.364
Mms	g	275.331	294.734	349.218	347.136
Rms	g/s	1.73	1.82	1.52	1.76
Xmax	mm	13	13	13	13
Xmech	mm	40	40	40	40
Dia.	mm	260	260	320	320
Sd	sq.m	0.053	0.053	0.0804	0.0804
Vd	liters	5.846	5.846	7.879	7.879

Electrical Parameters		G7C-12D4		G7C-15D4	
	Value	Parallel	Series	Parallel	Series
Qes		0.443	0.366	0.635	0.568
Re	Ohms	1.7	6.8	1.7	6.8
Le	mH	2.368	9.788	2.647	11.151
BL	Tm	15.302	34.515	15.292	34.144
Pe	Watts	1500	1500	1500	1500

Electromechanical Parameters		G7C-12D4		G7C-15D4	
	Value	Parallel	Series	Parallel	Series
Qts		0.394	0.319	0.563	0.501
no	%	0.294	0.315	0.51	0.51
1-W-SPL	dB	86.8	87	89.1	89.1
2.8V SPL	dB	93.61	87.89	96	90